

**ORBIT**  
**RACING**

**F1**  
**in Schools**  
Ireland



**Ireland National Finals**  
Engineering Portfolio



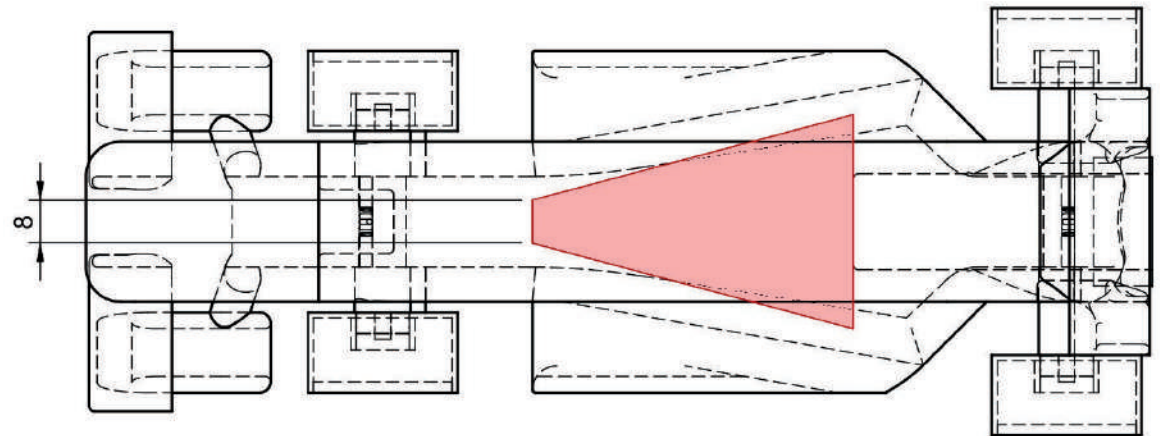
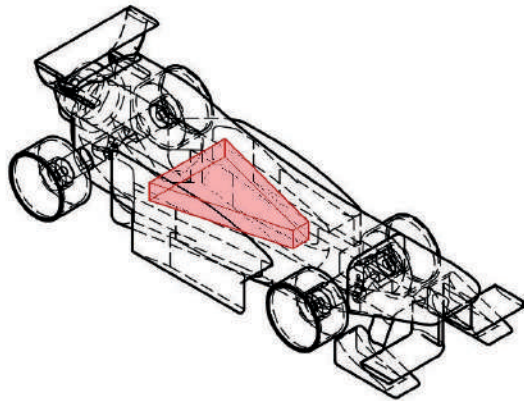
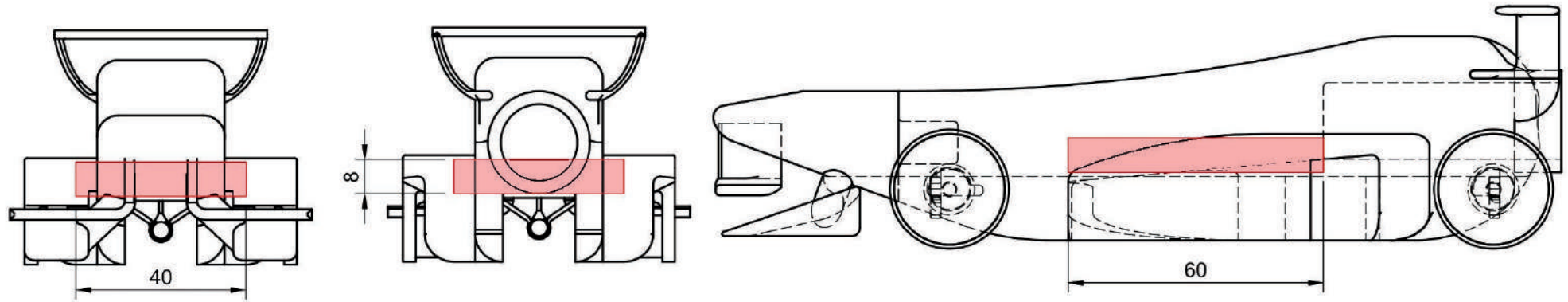
# TECH DRAWINGS



May 2023 



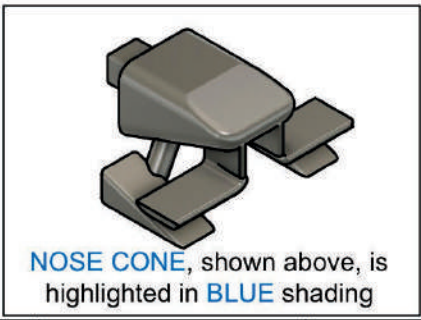
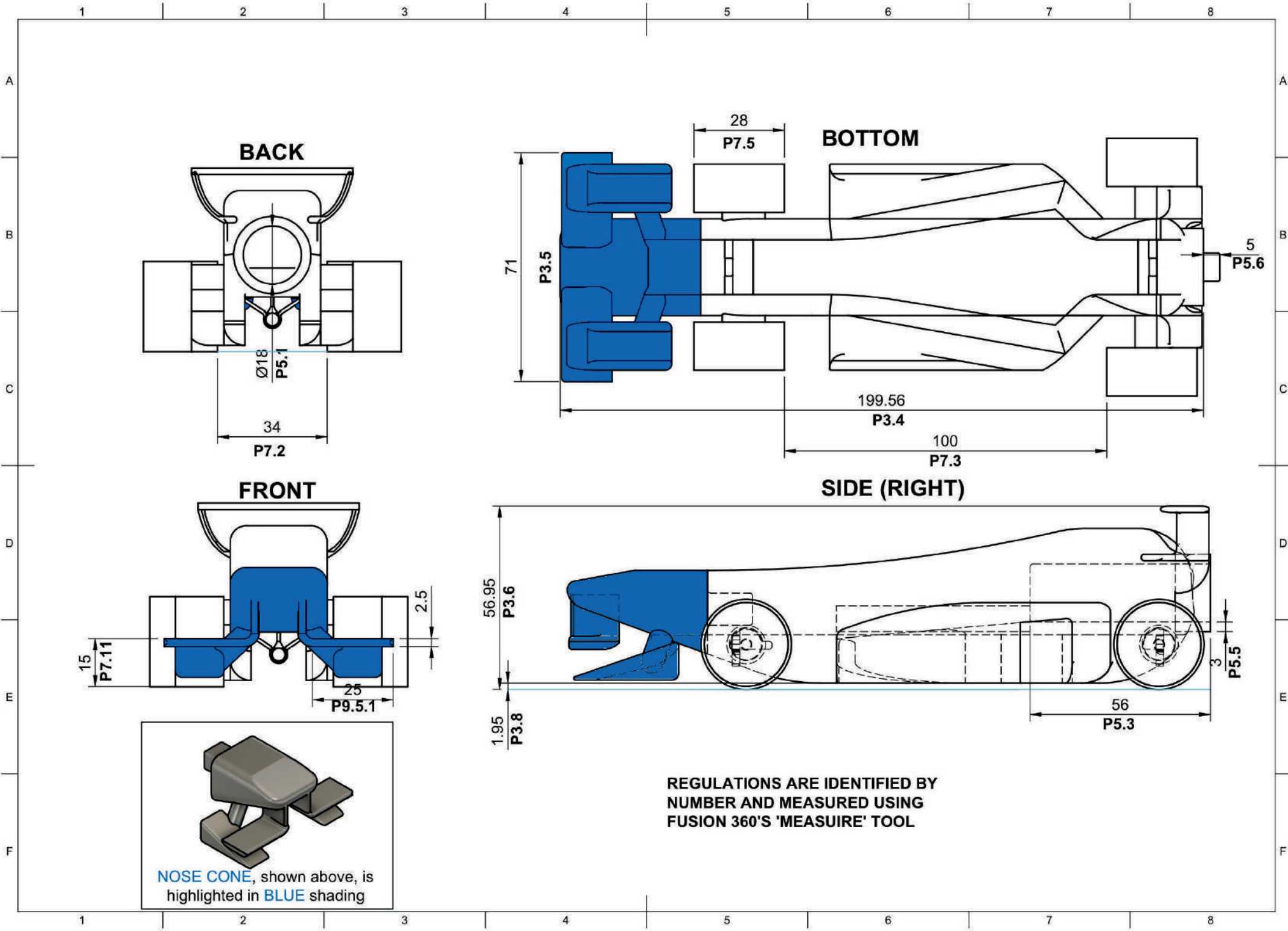
# VIRTUAL CARGO IDENTIFICATION



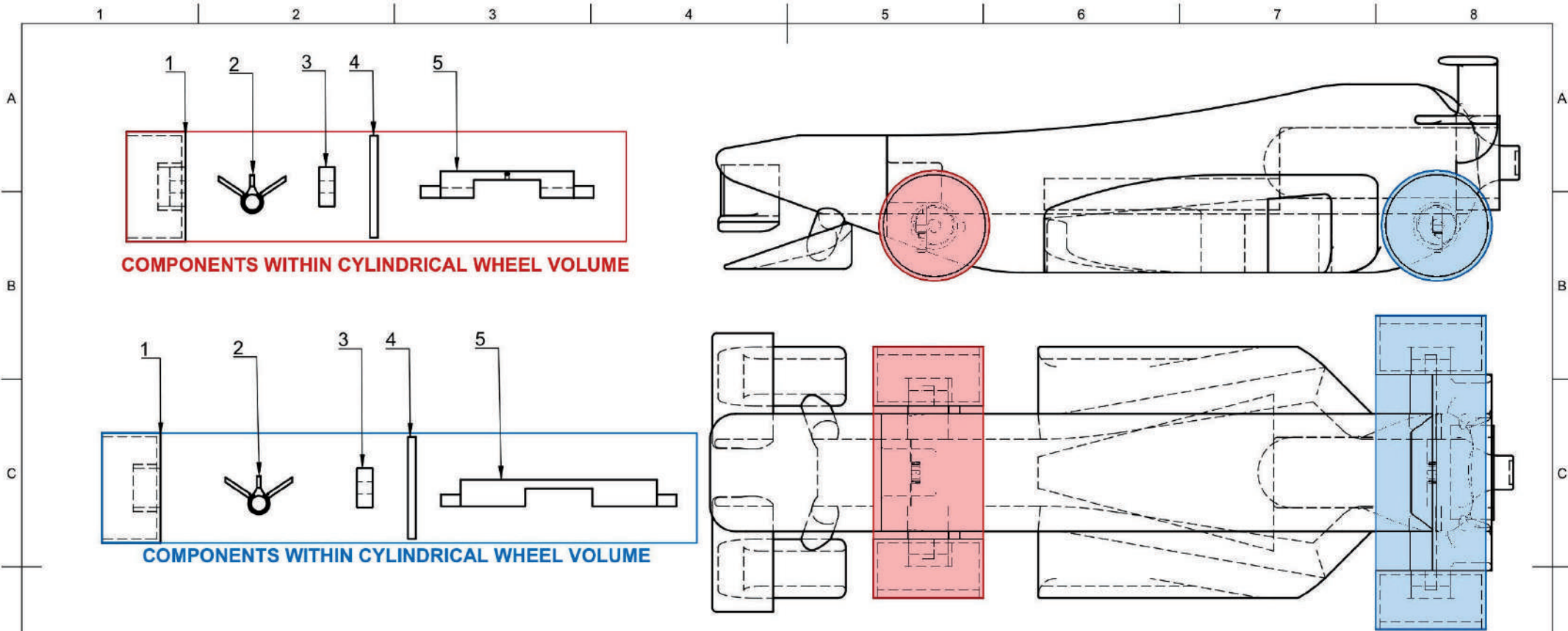
**KEY:**

 = VIRTUAL CARGO BOUNDARY





REGULATIONS ARE IDENTIFIED BY NUMBER AND MEASURED USING FUSION 360'S 'MEASURE' TOOL



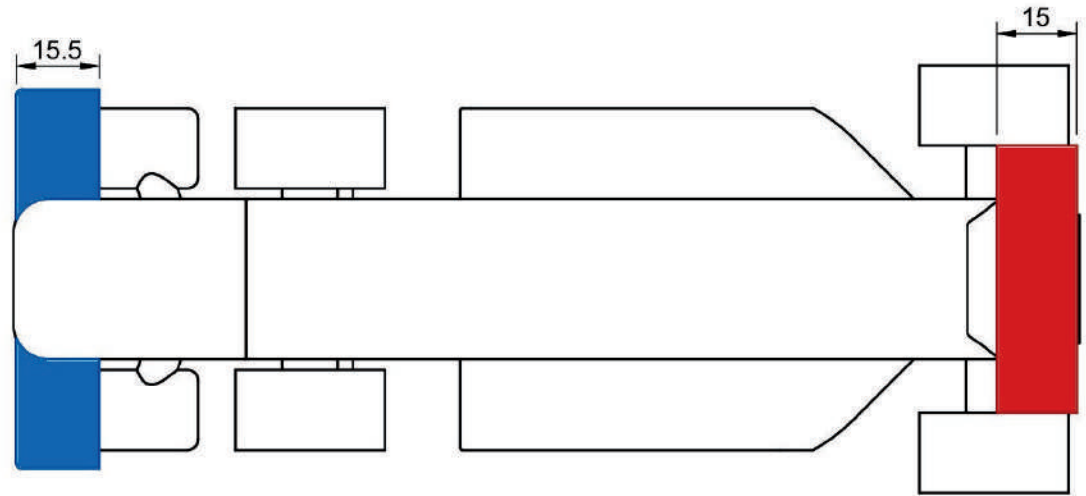
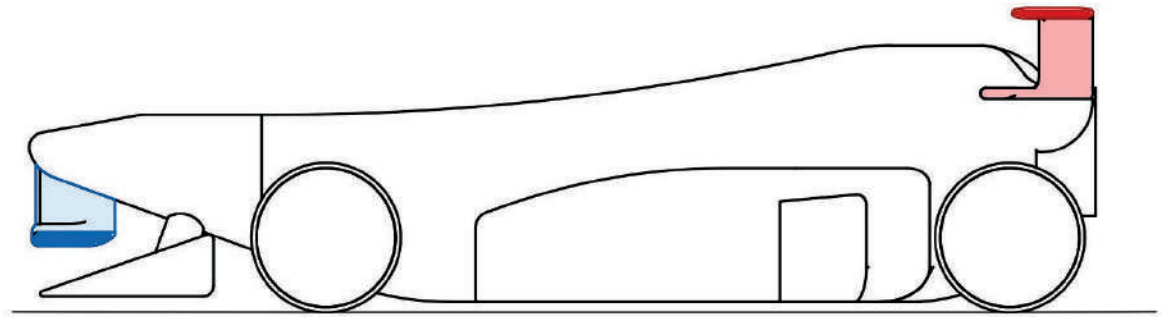
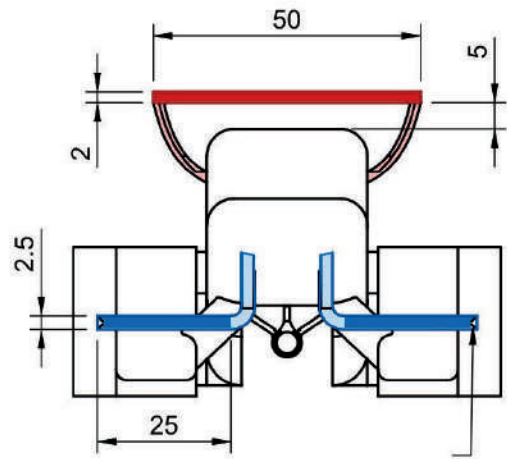
**COMPONENTS WITHIN CYLINDRICAL WHEEL VOLUME**

**COMPONENTS WITHIN CYLINDRICAL WHEEL VOLUME**

**ITEMS RELATED TO FRONT WHEEL STRUCTURES SHOWN IN RED**  
**ITEMS RELATED TO REAR WHEEL STRUCTURES SHOWN IN BLUE**

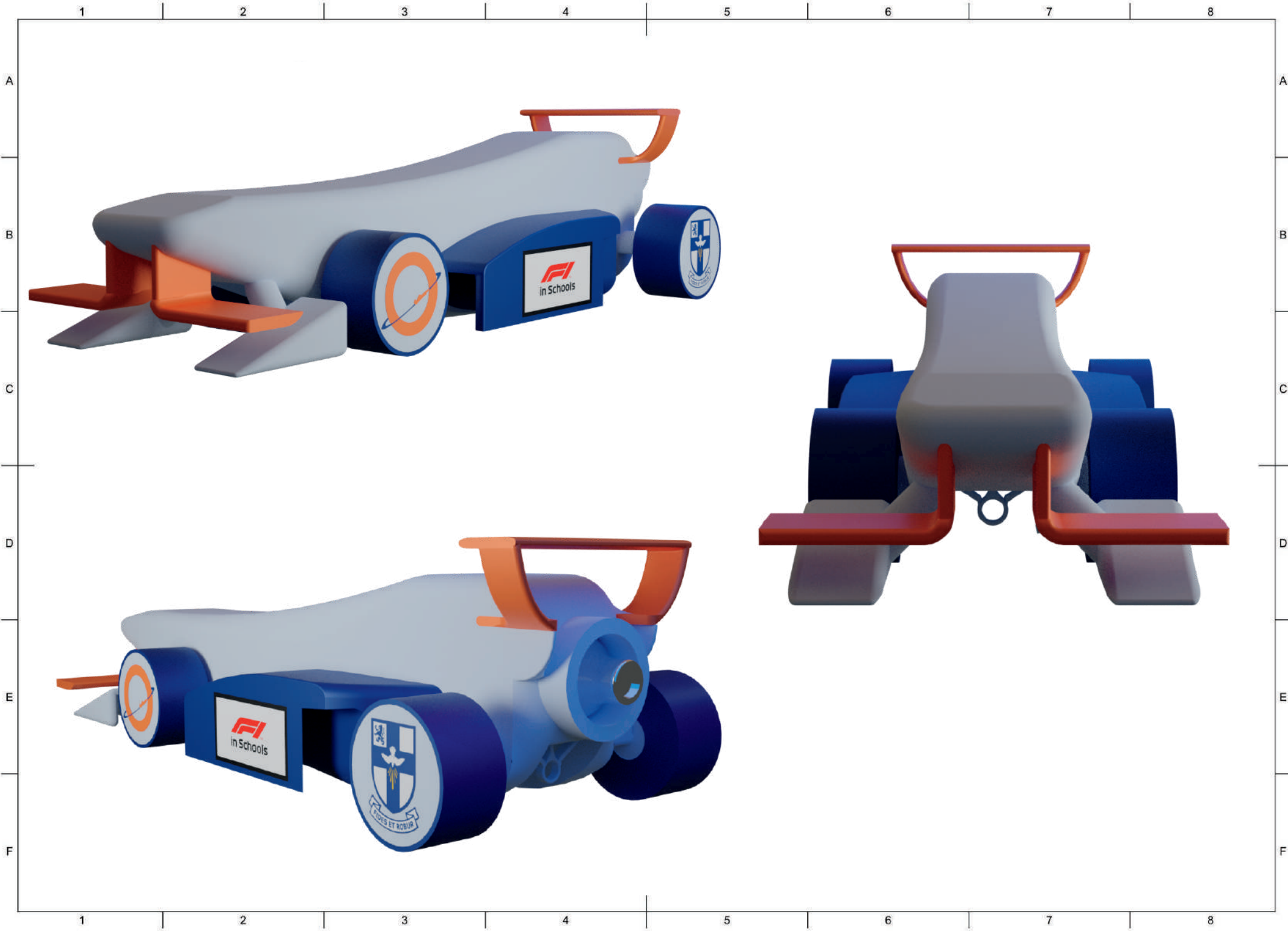
ITEM NUMBER	PART	MATERIAL	QTY.
1	FRONT WHEEL	PLA	2
2	TETHER LING GUIDE	PLA	1
3	BEARING	Zr02	2
4	WHEEL COVER	PLA	2
5	FRONT ALXE	PLA	1

ITEM NUMBER	PART	MATERIAL	QTY.
	REAR WHEEL	PLA	2
2	TETHER LINE GUIDE	PLA	1
3	BEARING	Zr02	2
4	WHEEL COVER	PLA	2
5	REAR AXLE	PLA	1

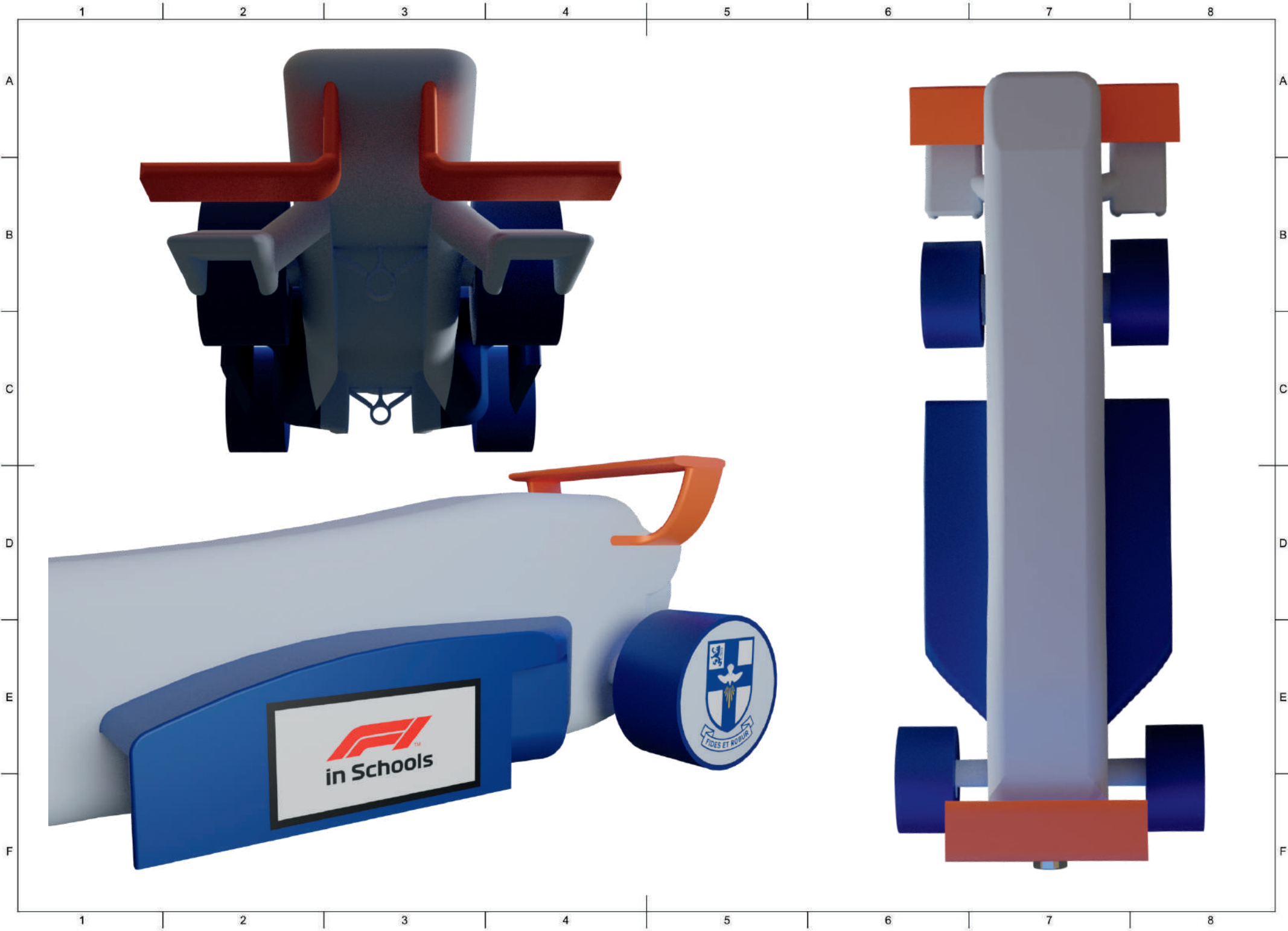


**FRONT WING STRUCTURES ARE SHADED IN SOLID BLUE, AND RELATED WING SUPPORT STRUCTURES ARE SHADED IN TRANSLUCENT BLUE. REQUIRED DIMENSIONS ARE SHOWN.**

**REAR WING STRUCTURES ARE SHADED IN SOLID RED, AND RELATED WING SUPPORT STRUCTURES ARE SHADED IN TRANSLUCENT RED. REQUIRED DIMENSIONS ARE SHOWN.**







1 2 3 4 5 6 7 8

A

B

C

D

E

F

A

B

C

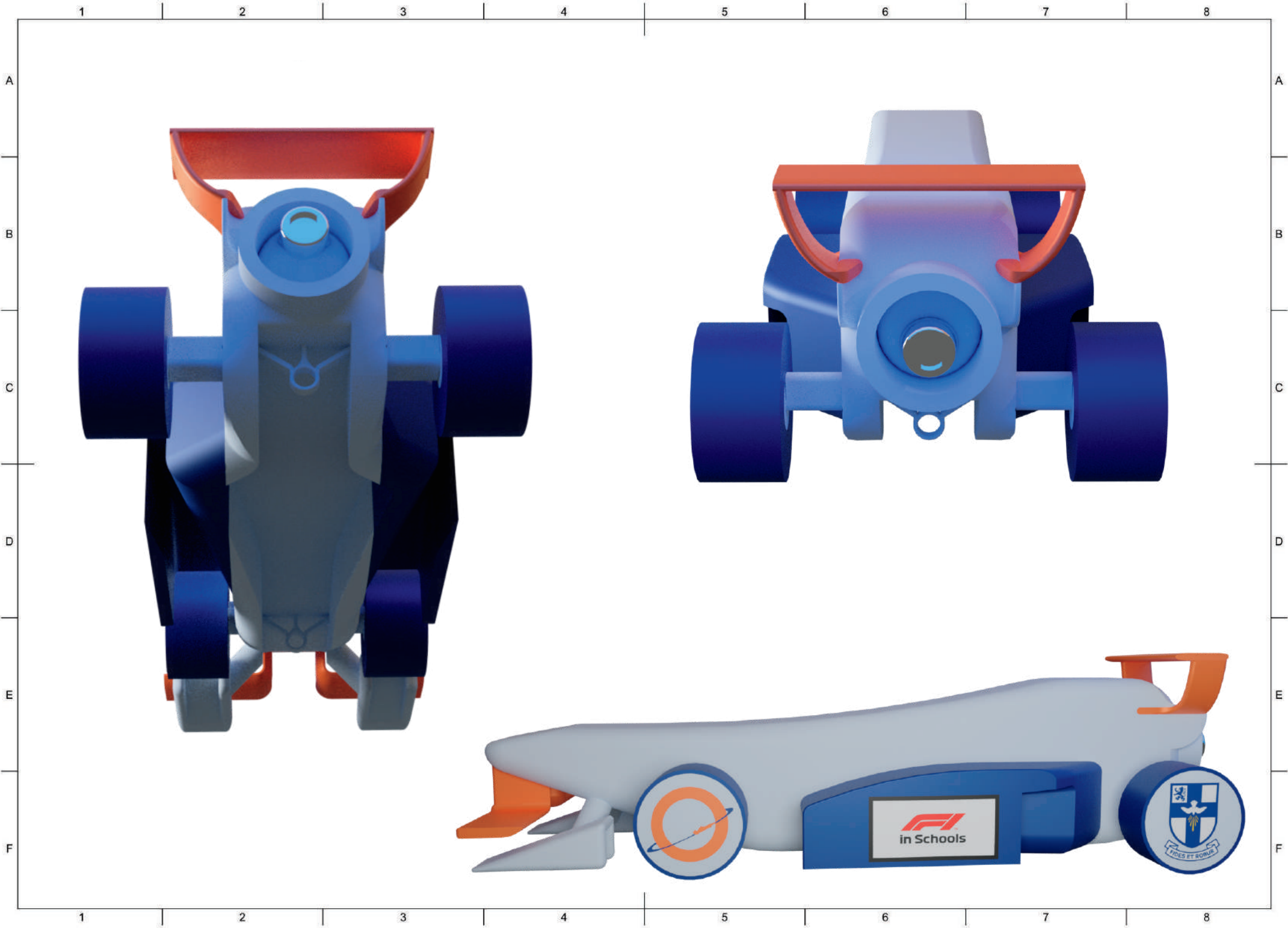
D

E

F

1 2 3 4 5 6 7 8





1

2

3

4

5

6

7

8

A

B

C

D

E

F

A

B

C

D

E

F

1

2

3

4

5

6

7

8



**Ireland National Finals**  
Engineering Portfolio



**TECH DRAWINGS**

